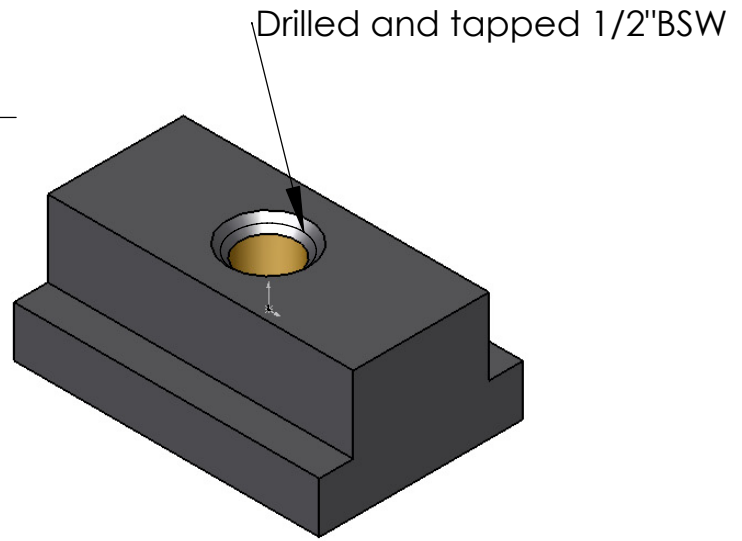
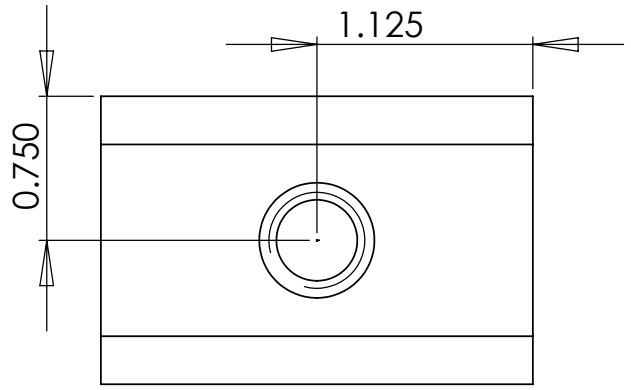
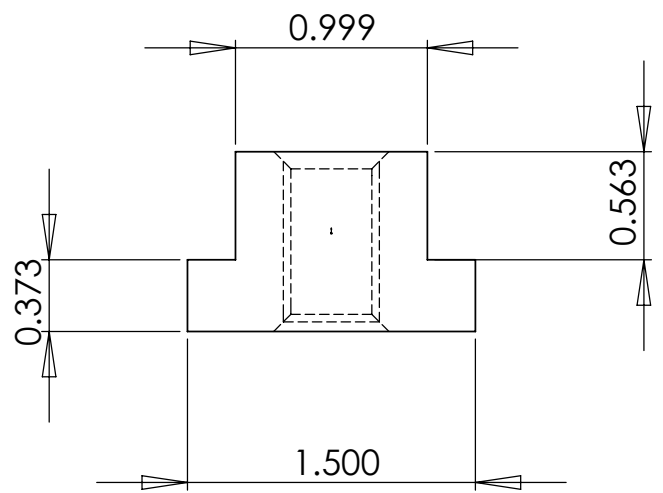
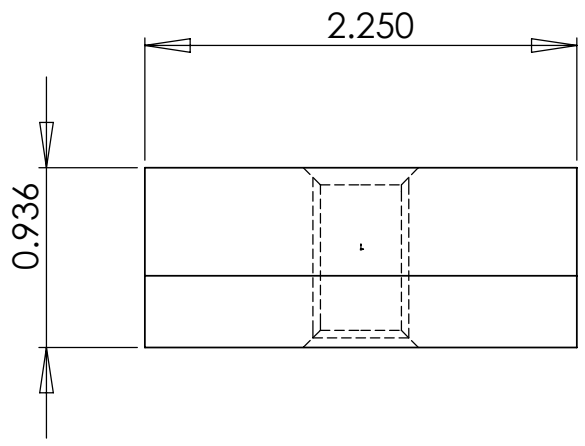


1 2 3 4 5 6

A

A



B

C

C

D

UNLESS OTHERWISE SPECIFIED:  
 DIMENSIONS ARE IN MILLIMETERS  
 SURFACE FINISH:  
 TOLERANCES:  
 LINEAR:  
 ANGULAR:

FINISH:

DEBUR AND  
 BREAK SHARP  
 EDGES

DO NOT SCALE DRAWING

REVISION

IntegerSpin

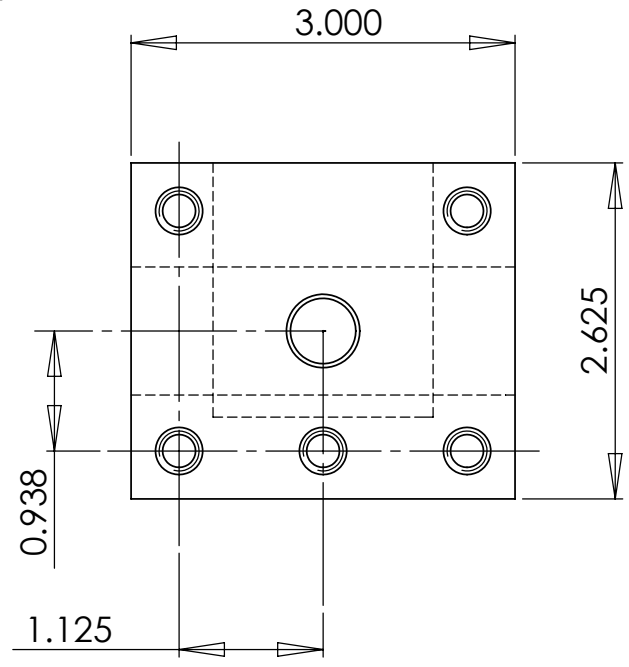
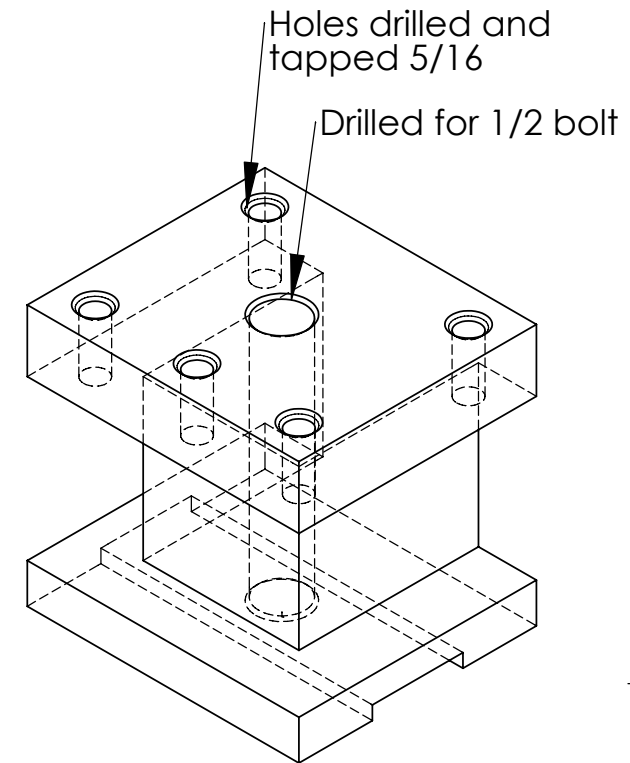
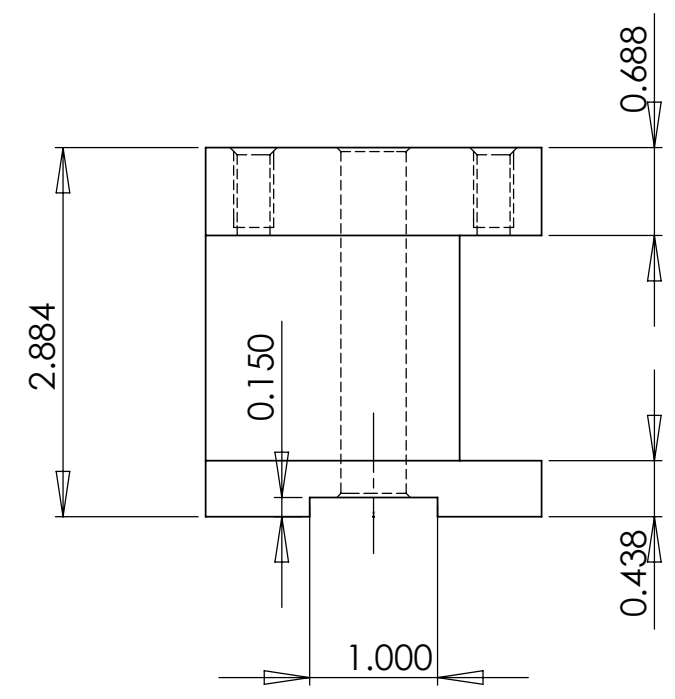
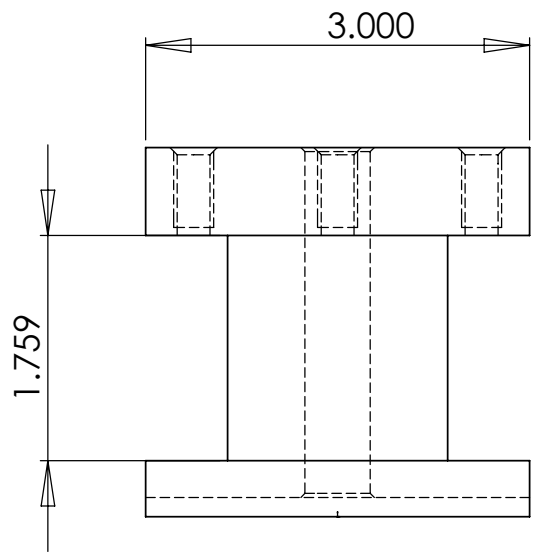
	NAME	SIGNATURE	DATE		
DRAWN					
CHK'D					
APPV'D					
MFG					
Q.A				MATERIAL:	
				WEIGHT:	

TITLE:

DWG NO. **cva-tnut** A4

1 2 3 4 5 6

SCALE:1:1 SHEET 1 OF 3



Square head bolts are used to clamp tools,  
they are 1.5 inch x 5/16 BSW.  
The hold down bolt is 3.5 inch x 1/2BSW

UNLESS OTHERWISE SPECIFIED:  
DIMENSIONS ARE IN MILLIMETERS  
SURFACE FINISH:  
TOLERANCES:  
LINEAR:  
ANGULAR:

FINISH:

DEBUR AND  
BREAK SHARP  
EDGES

DO NOT SCALE DRAWING

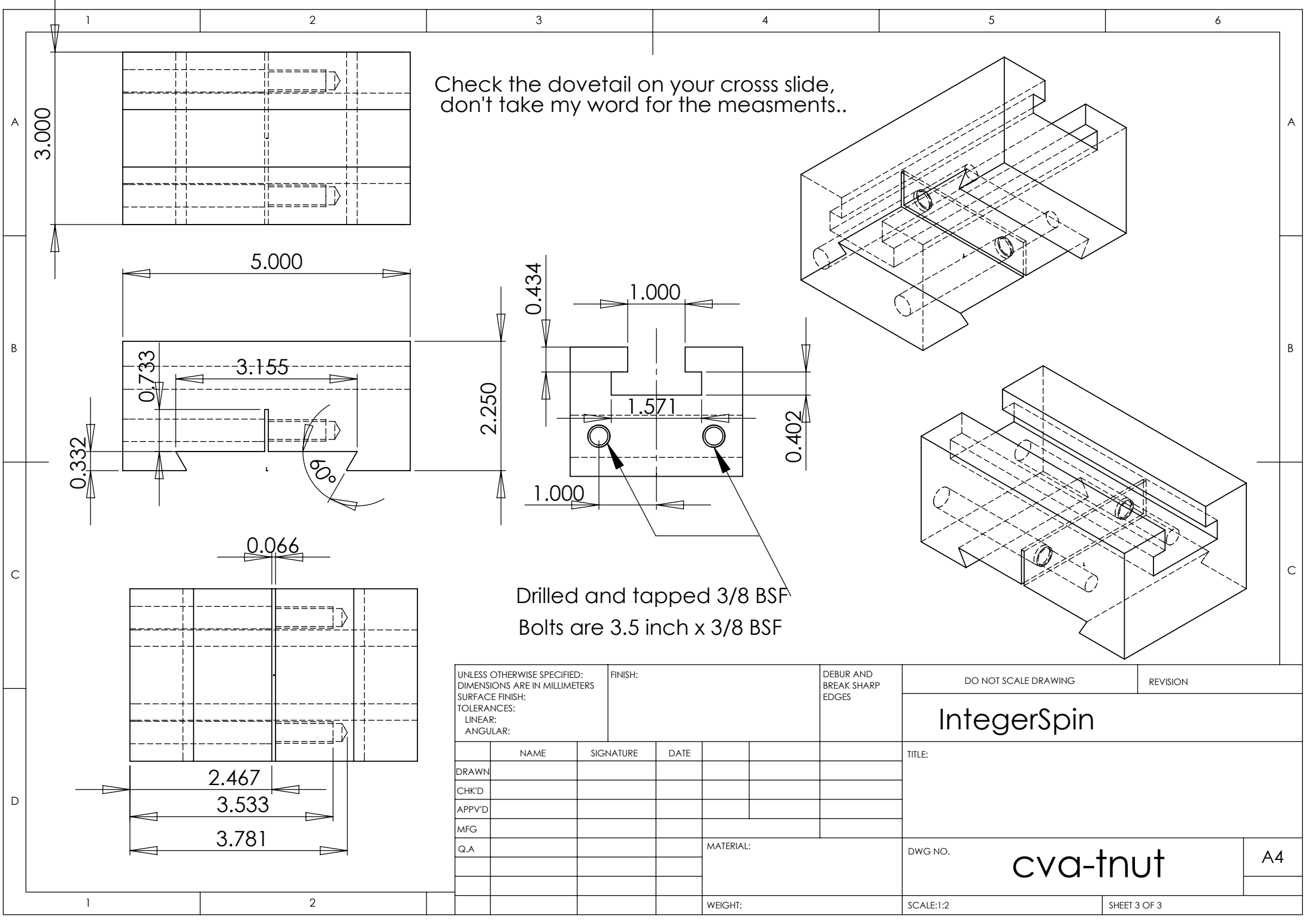
REVISION

IntegerSpin

	NAME	SIGNATURE	DATE		
DRAWN					
CHK'D					
APPV'D					
MFG					
Q.A				MATERIAL:	
				WEIGHT:	

TITLE:	
DWG NO.	cva-tnut
SCALE:1:2	SHEET 2 OF 3

A4



Check the dovetail on your cross slide,  
don't take my word for the measments..

Drilled and tapped 3/8 BSF  
Bolts are 3.5 inch x 3/8 BSF

UNLESS OTHERWISE SPECIFIED: DIMENSIONS ARE IN MILLIMETERS SURFACE FINISH: TOLERANCES: LINEAR: ANGULAR:		FINISH:		DEBUR AND BREAK SHARP EDGES	
DRAWN	NAME	SIGNATURE	DATE		
CHK'D					
APPV'D					
MFG					
Q.A				MATERIAL:	
				WEIGHT:	

DO NOT SCALE DRAWING		REVISION	
IntegerSpin			
TITLE:			
DWG NO.		cva-tnut	
SCALE:1:2		SHEET 3 OF 3	
		A4	